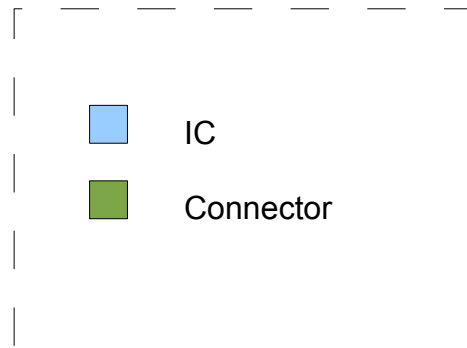
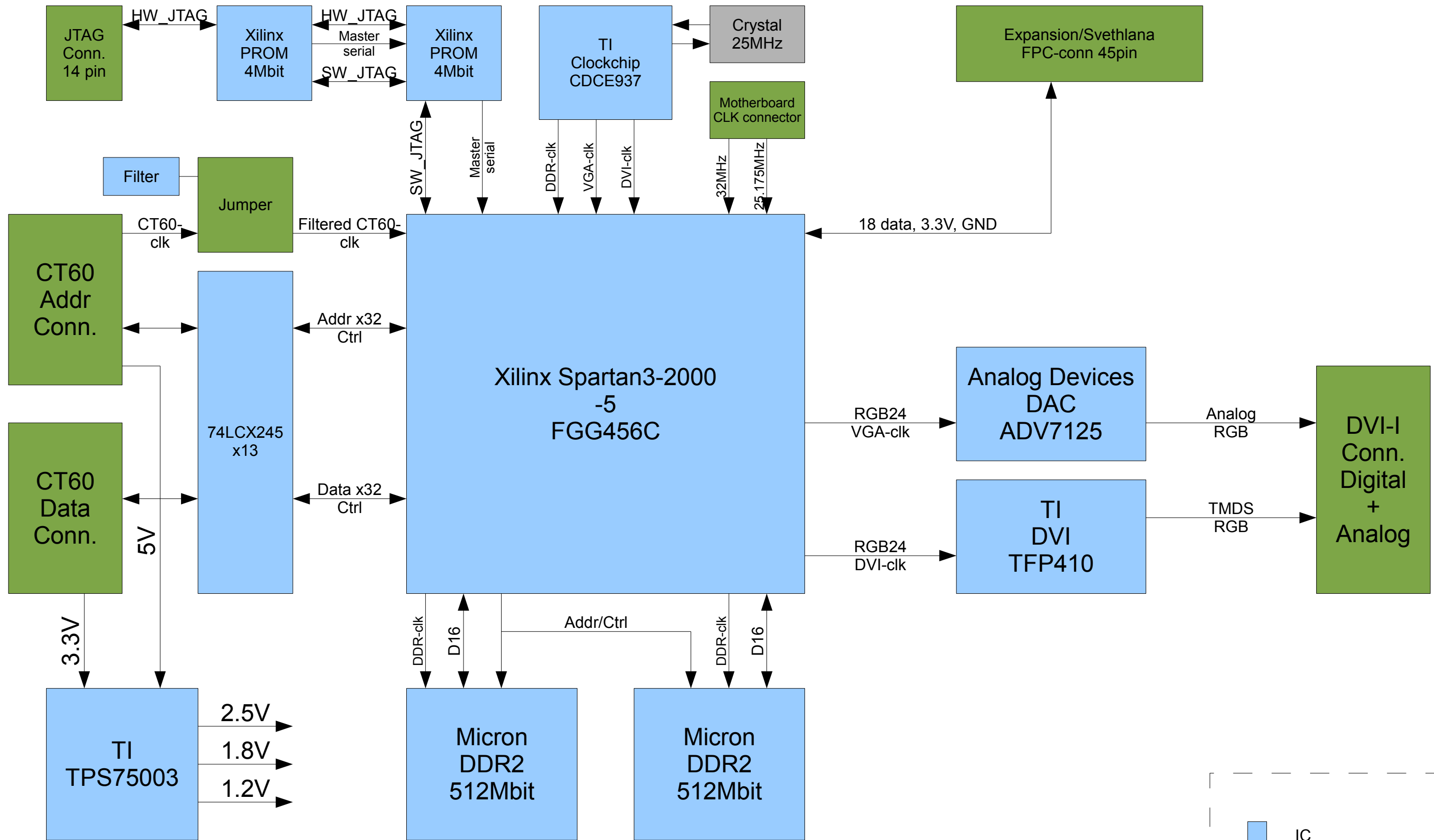


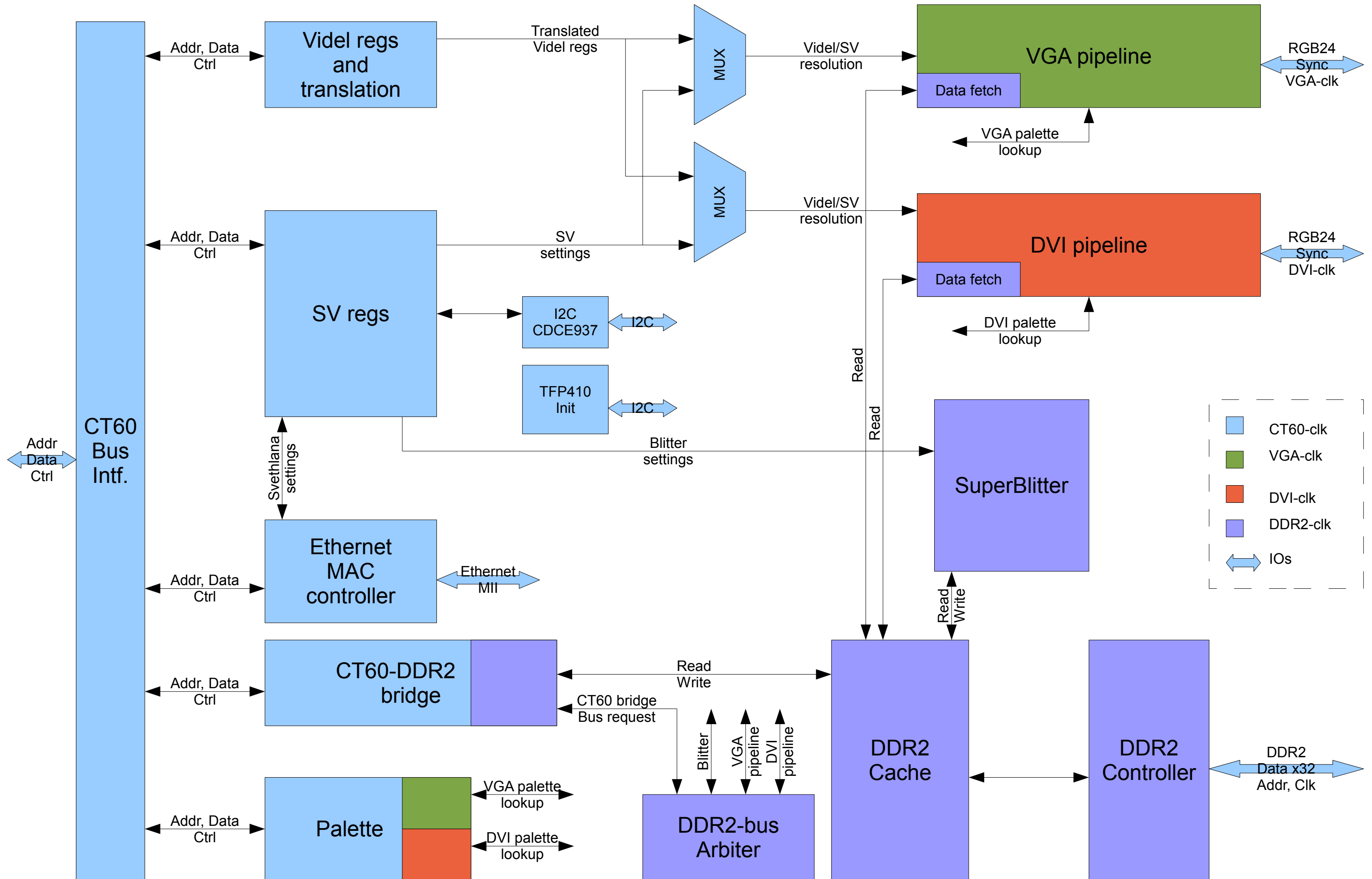
Rev 1
2012-03-10

This document provides descriptions of the SuperVidel hardware, VHDL structure and SW tools and drivers.

HW overview



VHDL overview



Software tools and drivers

Atari

SV_XBIOS.PRG:

Extends the VDI, XBIOS and GEM Desktop, to support new graphics modes, fast video memory, and SuperBlitter acceleration. Run this first in the auto folder.

SVSCREEN.SYS, SV_BPS16.SYS, SV_BPS32.SYS, SV_BPS8C.SYS:

Accelerated drivers for NVDI5, supporting new color depths and screen resolutions. Put these in your GEMSYS folder, and edit the entry for device 5 in ASSIGN.SYS as follows:

Before:

05p SCREEN.SYS

After:

05 SVSCREEN.SYS

CHGRES.PRG:

Resolution switcher for MagiC.

SV-JTAG.TTP:

Upgrades the SV firmware. Run with path and filename of an XSVF-file. A percentage is incremented as the two Xilinx PROMs are erased and programmed. At 47% the second PROM is erased, so a pause is noticed in the progress.

PC

CDCE925-Clockfinder:

.NET program for generating necessary clock register settings to create an output frequency from the 25MHz input frequency. The source code is also available as C-code to be compiled and run on Atari.